

THIS DRAWING IS UNPUBLISHED
VERTRAULICHE UNVERÖFFENTLICHUNG

RELEASE FOR PUBLIKATION
FREI FUER VERÖFFENTLICHUNG

MATED WITH:
PASSEND ZU:
1102076

LOC AI
DIST -

REVISIONS
ÄNDERUNGEN

© COPYRIGHT 2000

BY AMP INCORPORATED

ALL RIGHTS RESERVED
ALLE RECHTE VORBEHALTEN

PROJEKT NR.
EGGMN04419

D1

DESCRIPTION
NEW CSL LOGO ADDED

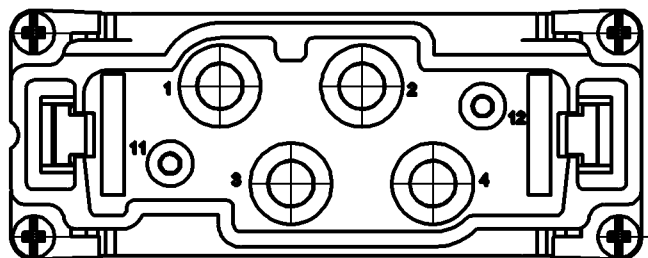
ECR-08-020094

DATE
11.08.2008

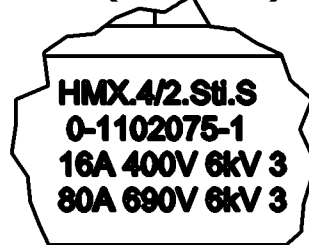
DWN
SR

APVD
ST

CONTACT ARRANGEMENT VIEW FROM CONECTING SIDE

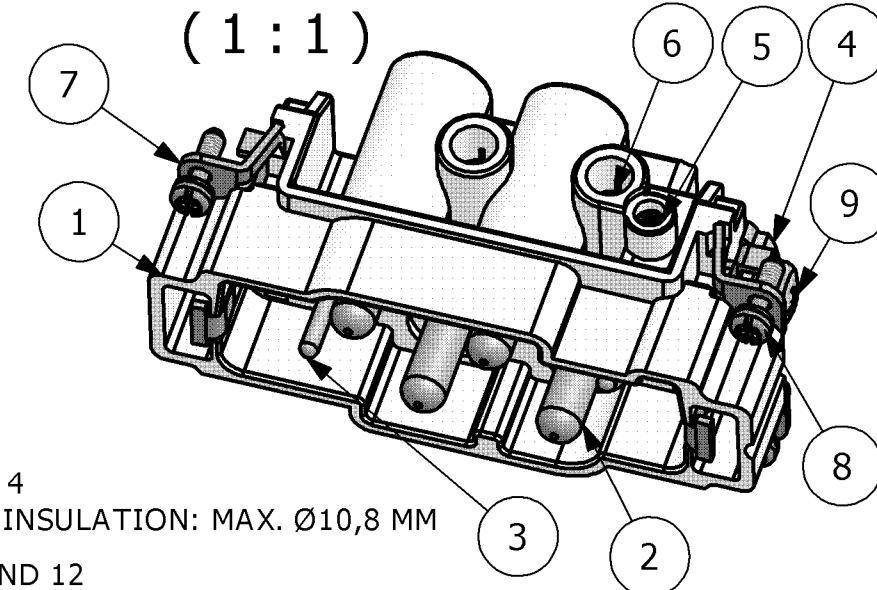


A (2:1)



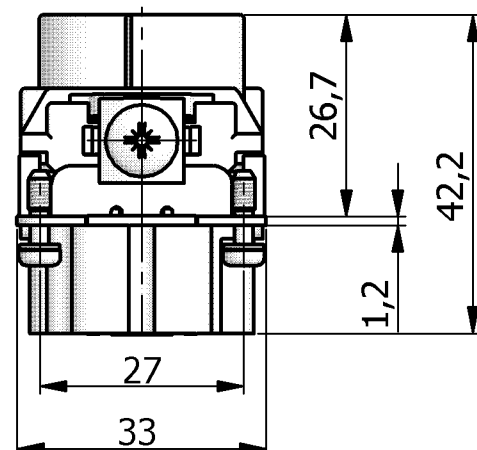
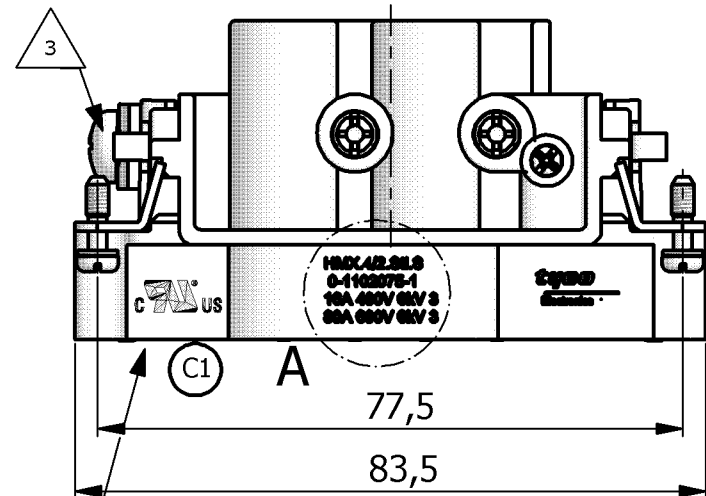
0-1 AS SHOWN
ORDERING TEXT: HMX.4/2.STI.S

(1:1)



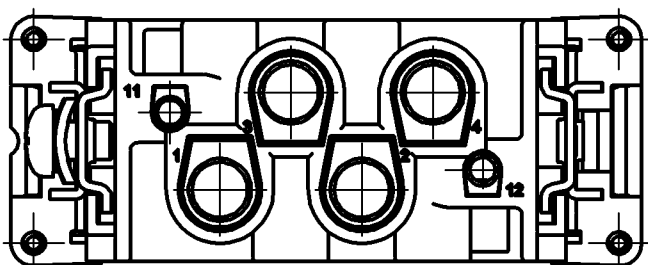
NOTES

- 1 POWER CONTACT: 1 TO 4
OUTER DIMENSIONS OF INSULATION: MAX. Ø10,8 MM
- 2 SIGNAL CONTACT: 11 AND 12
OUTER DIMENSIONS OF INSULATION: MAX. Ø4,8 MM
- 3 GROUNDING CONTACT
- 4 SUITABLE HOOD SIZE 6: SERIES HB; HD; EMV AND HIP
- 5 STANDARDS:
DIN EN 61984; DIN EN 60664-1
- 6 UL; CSA AUTHORISATION
- 7 PACKAGING:
5 PIECES IN A CARTON

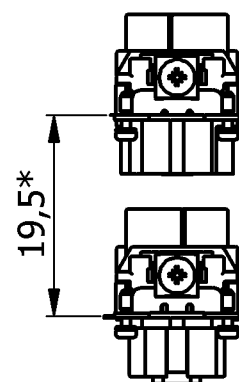
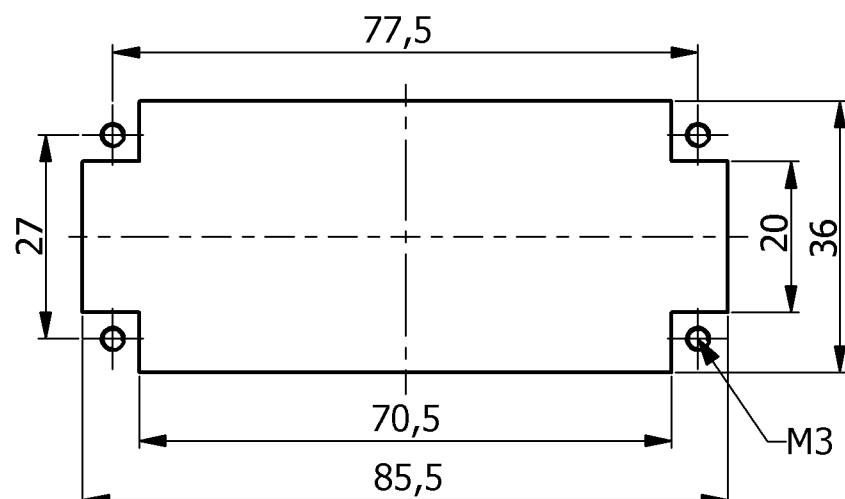


* DISTANCE FOR GUARANTEED
CONTACT MAX. 21 mm

CONTACT ARRANGEMENT VIEW FROM TERMINATION SIDE



PANET CUT-OUT CONTACT INSERT WHEN USED WITHOUT HOUSING



QTY.	DESCRIPTION	MATERIAL	SURFACE	COLOR	NOTE	ITEM
1	SCREW	STEEL	NICKEL PLATED	BLUE	DIN EN ISO 1207-M5X8	9
4	FIXING SCREW	STEEL	NICKEL PLATED	BLUE	M3X10,5	8
2	PIN GROUNDING CONTACT	BRASS	NICKEL PLATED	BLUE	-	7
4	THREAD PIN	STEEL	NICKEL PLATED	BLUE	-	6
2	CONTACT SCREW	STEEL	NICKEL PLATED	BLUE	M3X5,7	5
1	CLAMP TAB	STEEL	NICKEL PLATED	BLUE	---	4
2	CONTACT PIN	BRASS	SILVER PLATED	BLUE	-	3
4	PIN CONTACT	BRASS	SILVER PLATED	BLUE	-	2
1	MALE INSERT	PBT-GF30	-	LIGHT GREY	-	1

PARTS LIST

THIS DRAWING IS A CONTROLLED DOCUMENT FOR AMP INCORPORATED. IT IS SUBJECT TO CHANGE AND THE CONTROLLING ENGINEERING ORGANIZATION SHOULD BE CONTACTED FOR THE LATEST REVISION. DIESSES ZEICHNUNGSDOKUMENT WIRD DURCH AMP INCORPORATED KONTROLLIERT. ÄNDERUNGEN, DIE DEN TECHNISCHEN FORTSCHRITT DIENEN, SIND VORBEHALTEN. DEN JEWELTS LETZTIGUELTFIGEN ÄNDERUNGSSTAND ERFAHREN SIE AUF ANFRAGE.		DWN 12.07.2005	tyco Electronics		Tyco / Electronics AMP GmbH D - 53819 Neunkirchen	
DIMENSIONS: DIMENSIONEN: mm		CHK 12.07.2005				
TOLERANCES UNLESS OTHERWISE SPECIFIED: ALLGEMEINTOLERANZEN		T. SCHNURPFEIL		NAME		
n. ISO 8015 - n. ISO 2768 - mH-E n. DIN 16901- 140		APVD -		MALE INSERT HMX.4/2.STI.S		
0 PLC # 1 PLC # 2 PLC # 3 PLC # ANGLES / WINKEL #		PRODUCT SPEC. PRODUKTSPEZ.		SIZE		
MATERIAL		APPLICATION SPEC. VERARBEITUNGSSPEZ.		CAGE CODE		DRAWING NO ZEICHNUNGS-NR.
FINISH / OBERFLÄECHE / FARBE		WEIGHT GEWICHT		DRAWING NO ZEICHNUNGS-NR.		RESTRICTED TO NUR FUER
		CUSTOMER DRAWING / KUNDENZEICHNUNG		SCALE MASSSTAB		SHEET BLATT
				1:1		1 OF 1 VON 1
				REV. D1		